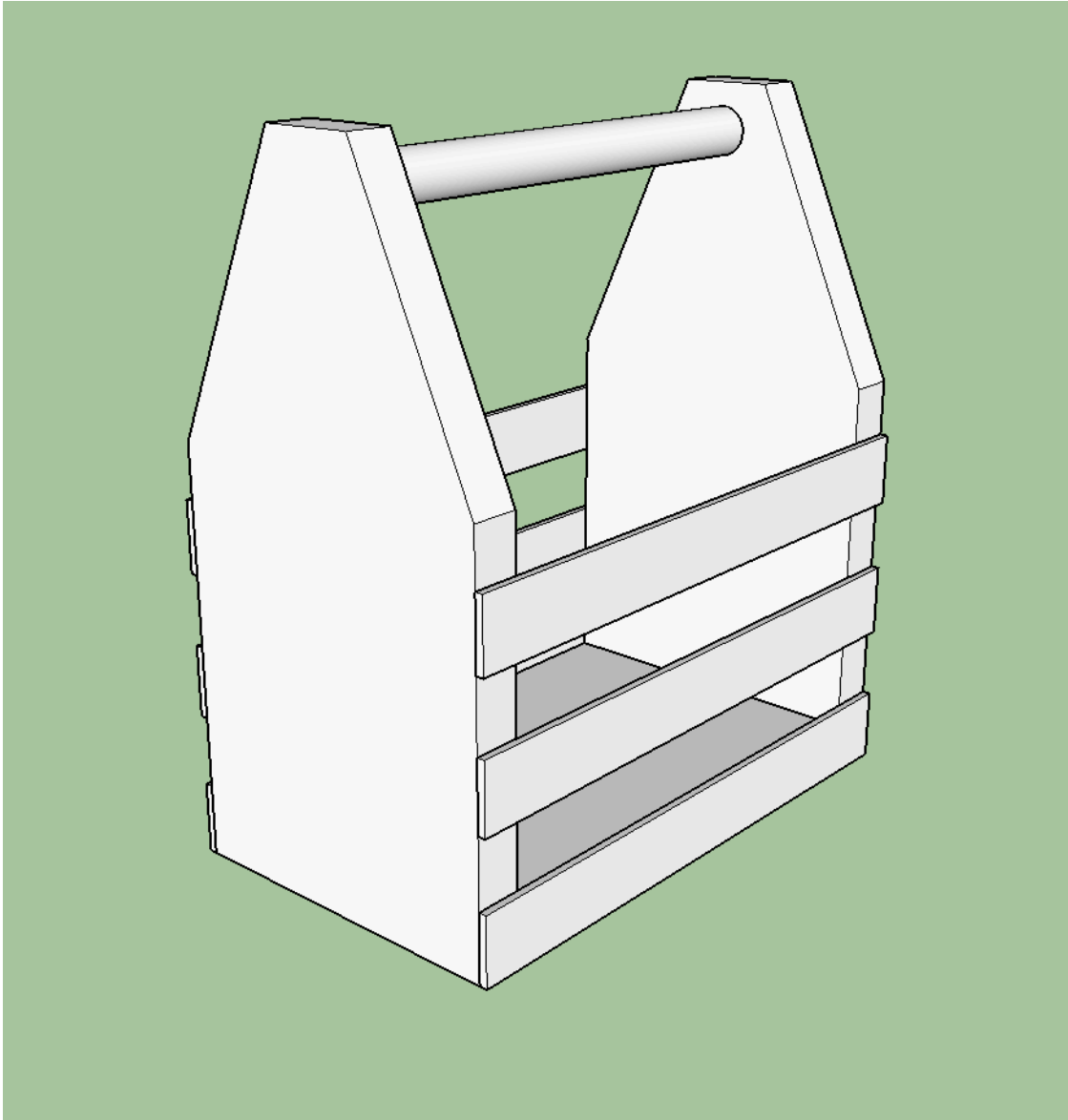


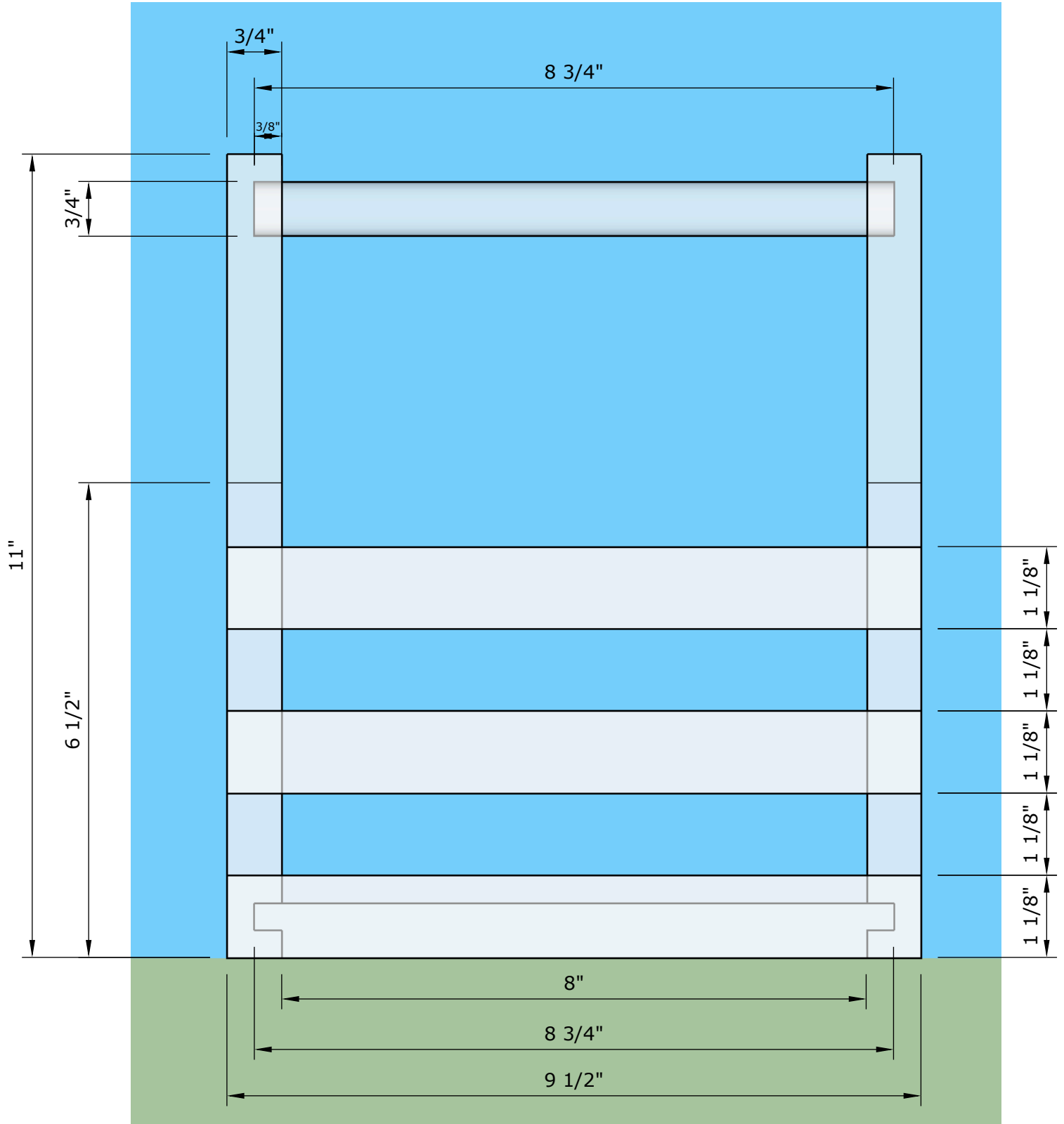
Beer Caddy
Copyright 2017 HandyDadTV



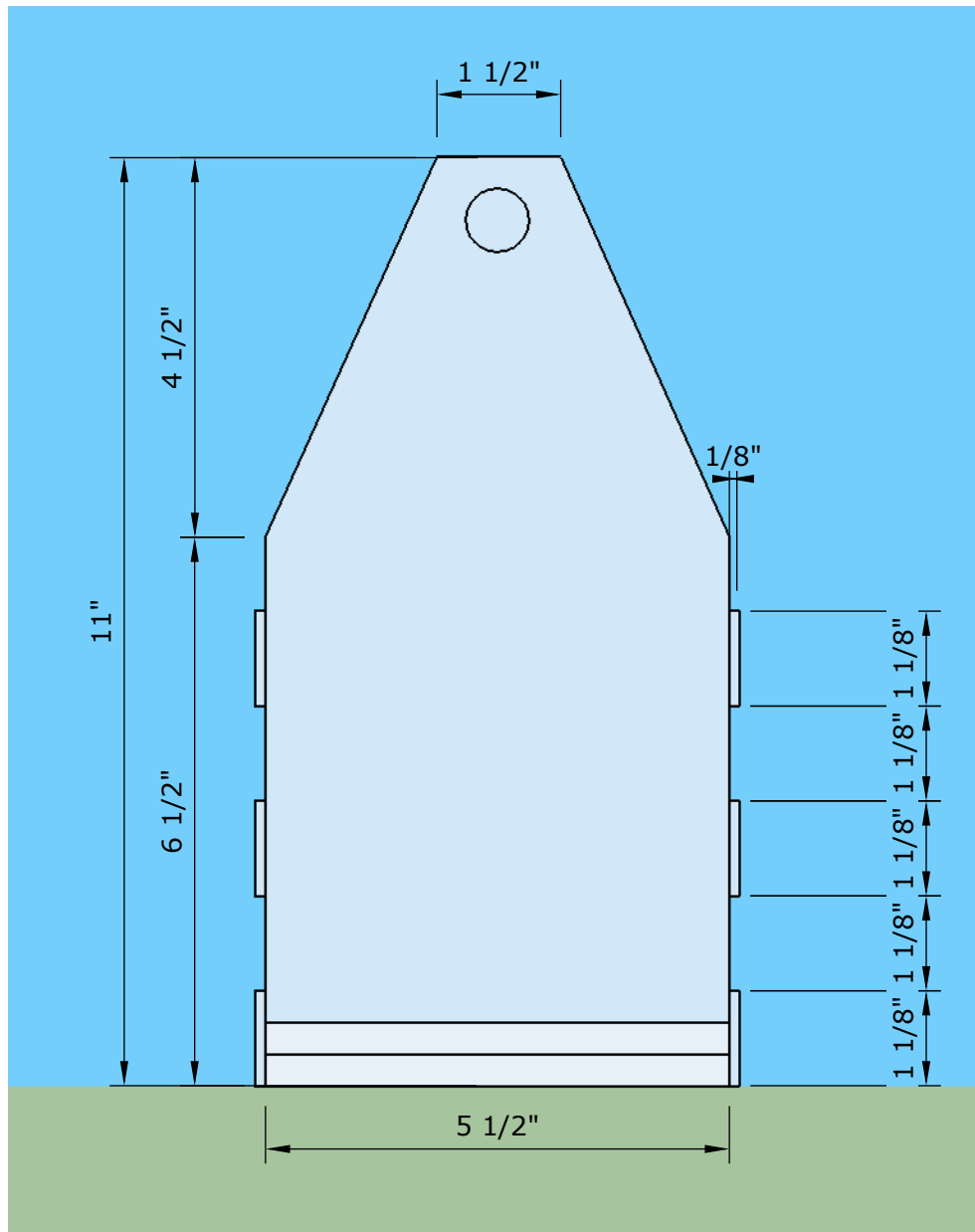
Materials List

1x6 pine, approx. 3 feet
3/4" dowel, approx. 9 inches
1/8" x 1 1/8" slats (see page 3)

SIDE DIMENSIONS



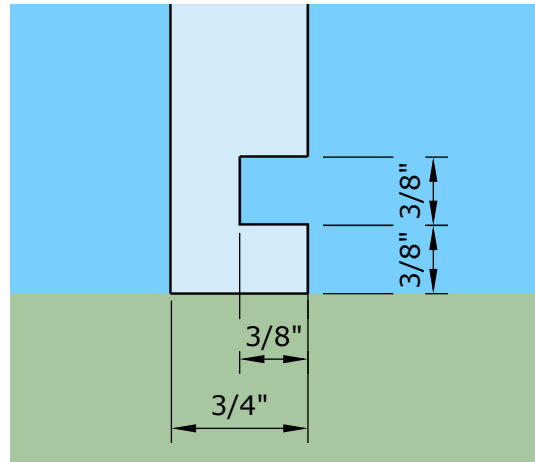
END DIMENSIONS



I cut six 1/8" slats from 5/4 pine (1 1/8" thick).
Cutting thin wood is challenging, even with a table saw.

PLEASE consider using lath or hobby plywood if you
are not comfortable cutting thin wood.

SIDE AND BOTTOM DETAIL



For added strength and ease of alignment, I used a dado to join the bottom to the sides.

A simpler alternative, if you don't have a table saw, would be a butt joint with nails to attach the bottom.

